

GENERAL LIGHTING - SURFACE/SUSPENDED DOWNLIGHTS



C-GENERAL-SRS DL1-1

(available only when ordered with a Cooledge Specialty Illumination Solution)

APPLICATION

- Ceiling surface mounted
- Installation to a standard octagonal box 4" with optional coverplate installation
- Mud Kit installation
- For indoor and outdoor use

PHOTOMETRIC

- Light Source: LED 10.4W / 500mA
- CRI: >90

MECHANICAL

- Dimensions: Height = 3-15/16" (100mm); Diameter = 3-9/16" (90mm)
- Housing Material: Surface treated aluminum
- IP Rating: IP53
- Weight: 1.3lbs (0.6kg)

ELECTRICAL

- Power Supply: Electronic power supply included (500mA current controlled)
- Input Voltage: 120VAC (60Hz)
- Dimming Type: Line voltage
- Dimming Range: 100% - 10%

FINISH COLOR

Add your selection using the following codes:

- B-B - Black-Black
- W-W - White-White
- B-MMAT - Black-Gold Matte
- W-B - White-Black
- B-FBR - Black-Flemish Bronze
- B-FG - Black-Flemish Gold

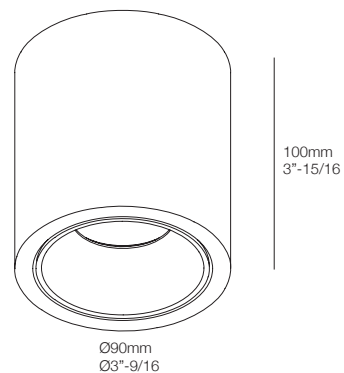
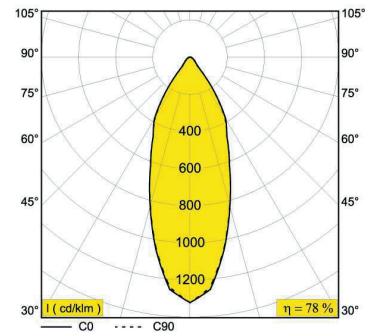
ACCESSORIES

Required:

- MUD KIT 2
- COVERPLATE R 117

Optional:

- HONEYCOMB / LENS / GLASS



Beam Angle	3000K			3500K		
	Source Lumens	Delivered Lumens	Order Code	Source Lumens	Delivered Lumens	Order Code
33° (FL)	N/A	841	C-6 251 70 811 932 ED8	N/A	868	C-6 251 70 811 952 ED8

SPECIFICATION SHEET

GENERAL LIGHTING - SURFACE/SUSPENDED DOWNLIGHTS

C-GENERAL-SRS DL1-2

(available only when ordered with a Cooledge Specialty Illumination Solution)

APPLICATION

- Ceiling surface mounted
- Installation to a standard octagonal box 4" with optional coverplate installation
- Mud Kit installation
- For indoor use only

PHOTOMETRIC

- Light Source: LED 10.4W / 500mA
- CRI: >90

MECHANICAL

- Dimensions: Height = 4-3/4" (120mm); Diameter = 3-7/8" (98mm)
- Adjustable Range: Angle = 0°- 30°; Rotational = 355°
- Housing Material: Surface treated aluminum
- IP Rating: IP20
- Weight: 2.0lbs (0.9kg)

ELECTRICAL

- Power Supply: Electronic power supply included (500mA current controlled)
- Input Voltage: 120VAC (60Hz)
- Dimming Type: Line voltage
- Dimming Range: 100% - 10%

FINISH COLOR

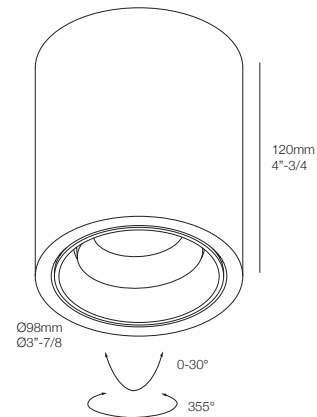
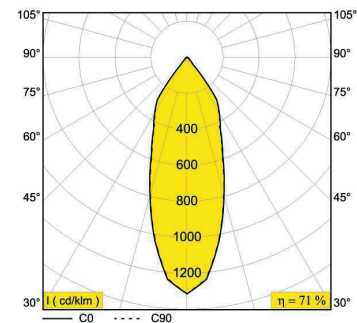
Add your selection using the following codes:

- B-B - Black-Black
- W-W - White-White
- B-MMAT - Black-Gold Matt
- W-B - White-Black

ACCESSORIES

Required:

- MUD KIT 2
- COVERPLATE R 117



Beam Angle	3000K			3500K		
	Source Lumens	Delivered Lumens	Order Code	Source Lumens	Delivered Lumens	Order Code
33° (FL)	1109	768	C-6 251 77 811 932 ED8	1075	792	C-6 251 77 811 952 ED8

SPECIFICATION SHEET

GENERAL LIGHTING - SURFACE/SUSPENDED DOWNLIGHTS

C-GENERAL-SRS DL1-3

(available only when ordered with a Cooledge Specialty Illumination Solution)

APPLICATION

- Ceiling surface mounted
- Installation to a standard octagonal box 4" with optional coverplate installation
- For indoor use only

PHOTOMETRIC

- Light Source: LED 23.4W / 700mA
- CRI: >90

MECHANICAL

- Dimensions: Height = 5-3/8" (137mm); Diameter = 5-3/16" (131mm)
- Housing Material: Surface treated aluminum
- IP Rating: IP20
- Weight: 1.3lbs (0.6kg)

ELECTRICAL

- Power Supply: Electronic power supply included (700mA current controlled)
- Input Voltage: 120-277VAC (60Hz)
- Dimming Type: 0-10V (line voltage dimming also available upon request)
- Dimming Range: 100% - 1% (line voltage = 100%-10%)

FINISH COLOR

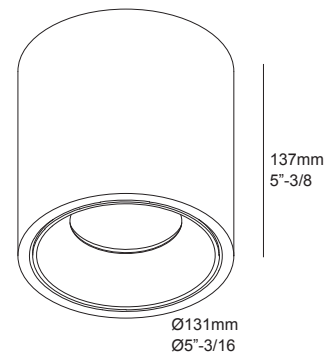
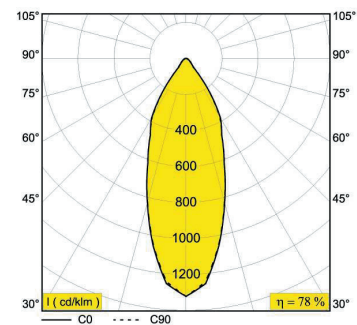
Add your selection using the following codes:

- B-B - Black-Black
- W-W - White-White
- B-MMAT - Black-Gold Mat
- W-B - White-Black

ACCESSORIES

Required:

- LENS / GLASS



Beam Angle	3000K			3500K		
	Source Lumens	Delivered Lumens	Order Code	Source Lumens	Delivered Lumens	Order Code
20° (FL)	2752	2393	C-6 251 71 21 931 ED1	2852	2480	C-6 251 71 21 951 ED1
37° (FL)	2752	2453	C-6 251 71 21 933 ED1	2852	2542	C-6 251 71 21 953 ED1

SPECIFICATION SHEET

GENERAL LIGHTING - SURFACE/SUSPENDED DOWNLIGHTS

C-GENERAL-SRS DL1-4

(available only when ordered with a Cooledge Specialty Illumination Solution)

APPLICATION

- Ceiling surface mounted
- Installation to a standard octagonal box 4" with optional coverplate installation
- For indoor use only

PHOTOMETRIC

- Light Source: LED 16.8W / 500mA
- CRI: >90

MECHANICAL

- Luminaire
- Dimensions: Height = 5-5/8" (143mm); Diameter = 5-3/16" (131mm)
- Housing Material: Surface treated aluminum
- IP Rating: IP20
- Weight: 1.3lbs (0.6kg)

ELECTRICAL

- Power Supply: Electronic power supply included (500mA current controlled)
- Input Voltage: 120VAC (60Hz)
- Dimming Type: Line voltage
- Dimming Range: 100% - 10%

FINISH COLOR

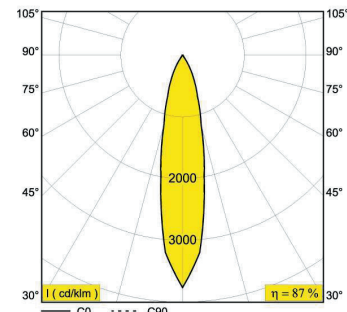
Add your selection using the following codes:

- B-B - Black-Black
- W-W - White-White
- B-MMAT - Black-Gold Mat
- W-B - White-Black

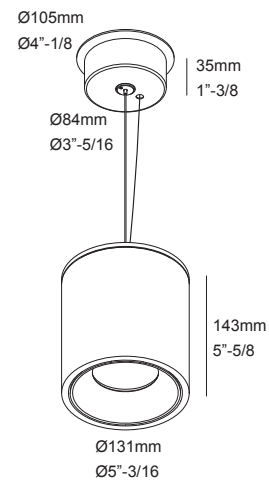
ACCESSORIES

Required:

- LENS / GLASS



Beam angles available:
20° (FL), and 37° (FL) shown



Beam Angle	3000K			3500K		
	Source Lumens	Delivered Lumens	Order Code	Source Lumens	Delivered Lumens	Order Code
20° (FL)	2404	1735	C-6 251 73 21 931 ED8	2474	1799	C-6 251 73 21 951 ED8
37° (FL)	2404	1778	C-6 251 73 21 933 ED8	2474	1843	C-6 251 73 21 953 ED8

SPECIFICATION SHEET

GENERAL LIGHTING - SURFACE/SUSPENDED DOWNLIGHTS

C-GENERAL-SRS DL1-5

(available only when ordered with a Cooledge Specialty Illumination Solution)

APPLICATION

- Ceiling surface mounted
- Installation to a standard octagonal box 4" with optional coverplate installation
- For indoor use only

PHOTOMETRIC

- Light Source: LED 24.3W / 700mA
- CRI: >90

MECHANICAL

Luminaire

- Dimensions: Height = 4-7/16" (112mm); Length = 4-7/8" (124mm); Width = 4-7/8" (124mm)
- Housing Material: Surface treated aluminum
- IP Rating: IP20
- Weight: 1.3lbs (0.6kg)

ELECTRICAL

- Power Supply: Electronic power supply included (700mA current controlled)
- Input Voltage: 120-277VAC (60Hz)
- Dimming Type: 0-10V (line voltage dimming also available upon request)
- Dimming Range: 100% - 1% (line voltage = 100%-10%)

FINISH COLOR

Add your selection using the following codes:

- B-B - Black-Black
- W-W - White-White
- B-MMAT - Black-Gold Mat
- W-B - White-Black

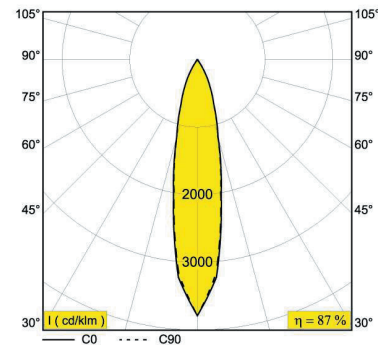
ACCESSORIES

Included

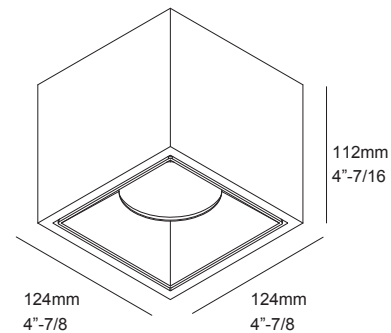
- 1 x CABLE 3 x 18 AWG
- 1 x CABLE SUSP. SINGLE AUTO 5'

Optional:

- LENS / GLASS



Beam angles available:
20° (FL), and 37° (FL) shown



Beam Angle	3000K			3500K		
	Source Lumens	Delivered Lumens	Order Code	Source Lumens	Delivered Lumens	Order Code
20° (FL)	2752	2403	C-6 251 72 21 931 ED1	2852	2491	C-6 251 72 21 951 ED1
37° (FL)	2752	2533	C-6 251 72 21 933 ED1	2852	2626	C-6 251 72 21 953 ED1